

MODEL XT500 ('76)
(TYPE 1N5)

FOR EUROPE

Copyright © 2009
YUNIPARTS LTD

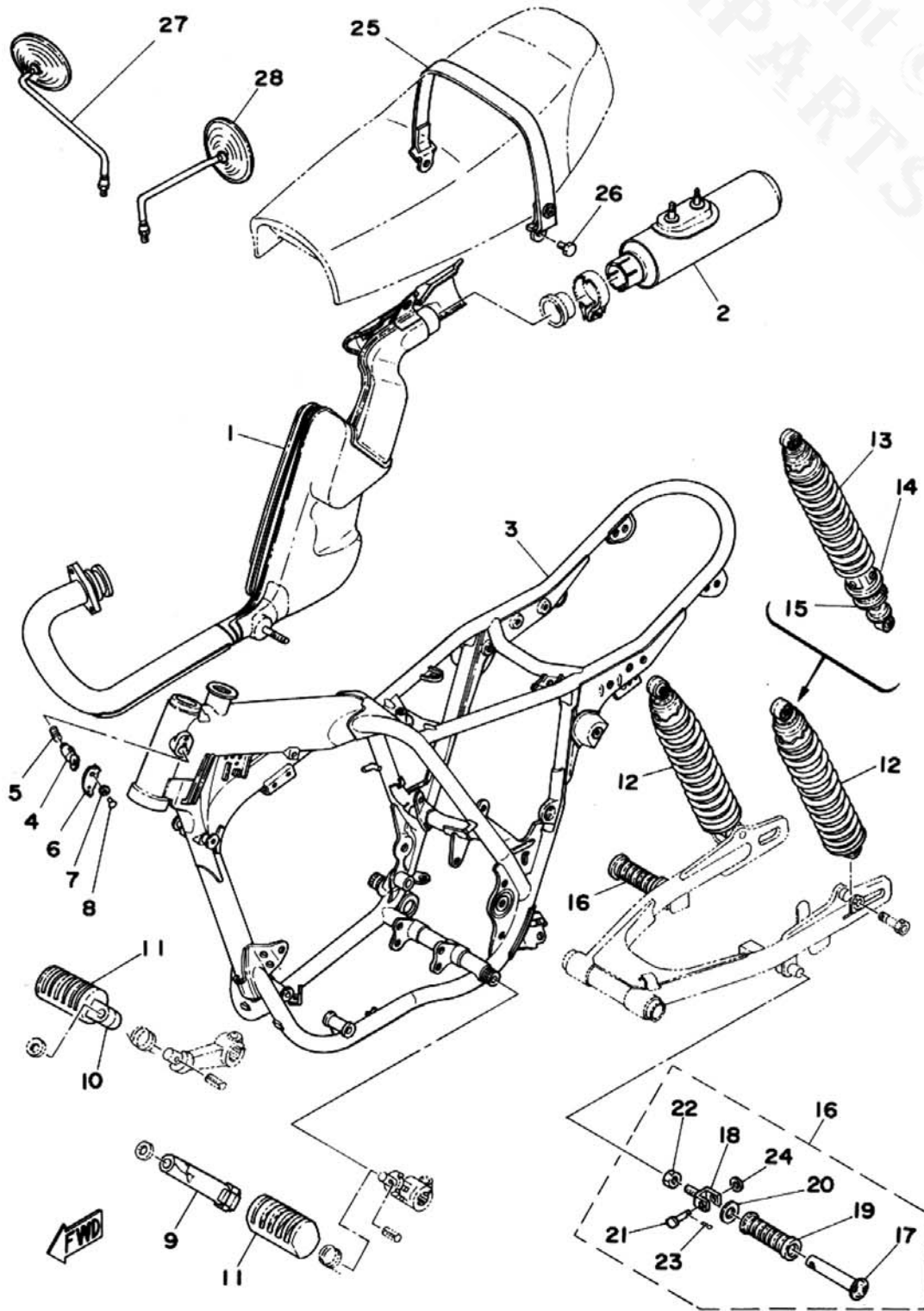
CONTENTS

Fig. 1	Engine · Frame · Footrest	1
Fig. 2	Front Fork · Wheel	5
Fig. 3	Head Lamp	7
Fig. 4	Tail Lamp	9
Fig. 5	Flasher Lamp	11
Fig. 6	Meter · Electrical	13

NUMERICAL INDEX

The parts marked with * in the remark column of this list are not supplied with by Yamaha, those have to be found locally.

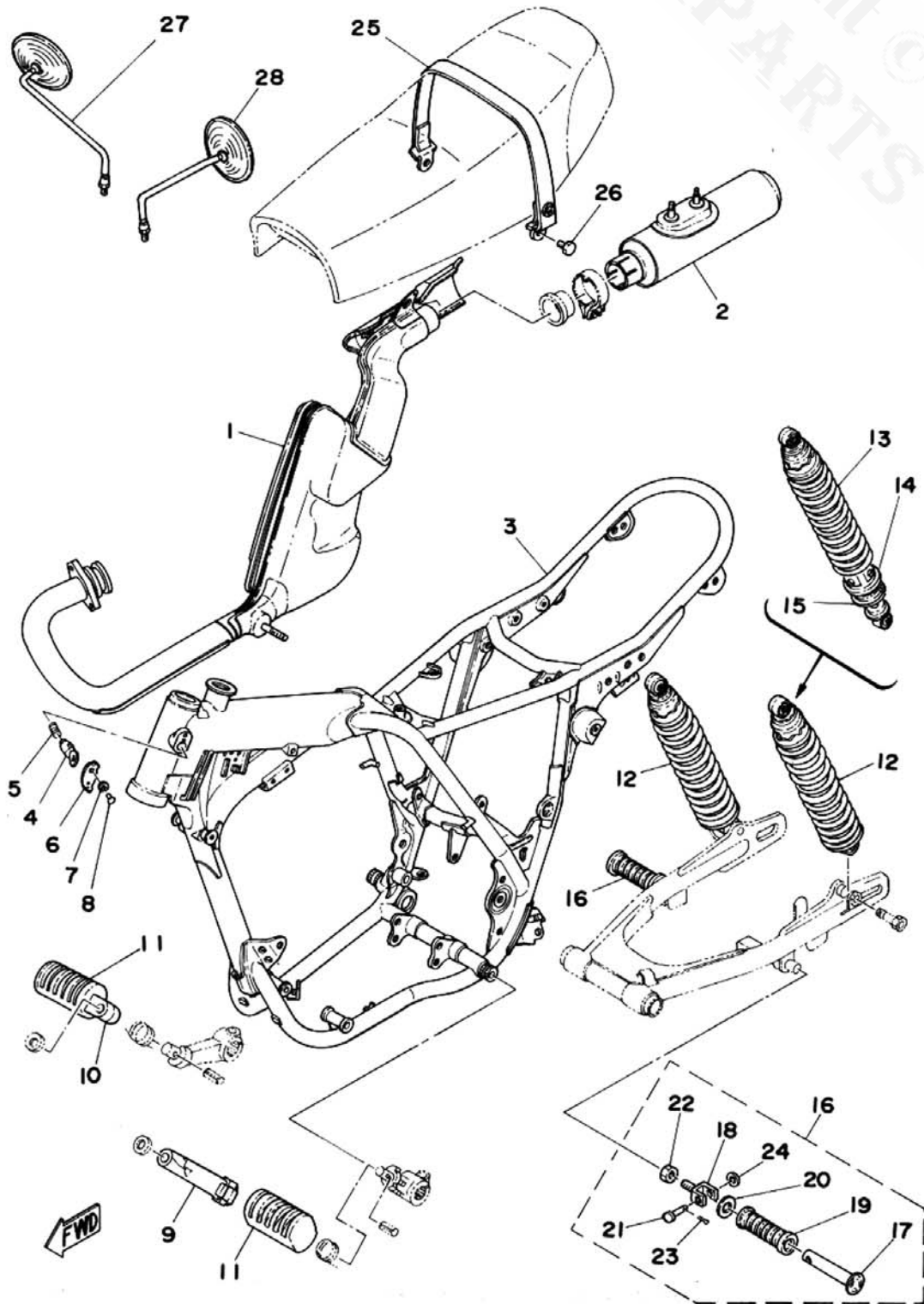
Fig. 1 ENGINE · FRAME · FOOTREST



ENGINE · FRAME · FOOTREST

Ref. No.	Parts No.	Description	Q'ty												Remarks
				FRANCE	HOLLAND	W. GERMANY	SWITZERLAND	BELGIUM	SWEDEN	FINLAND	DENMARK	NORWAY	AUSTRIA	ENGLAND	
1- 1	1N5-14610-01	EXHAUST PIPE ASS'Y	1	x									x	x	
1- 2	1N5-14750-00	SILENCER ASS'Y	1	x									x	x	
1- 3	1E6-21110-00-33	FRAME COMP.	1										x	x	Yamaha Black
	1N5-21110-00-33	FRAME COMP.	1	x											Yamaha Black
1- 4	1E6-23408-00	STEERING LOCK ASS'Y	1										x	x	
	169-23480-10	STEERING LOCK ASS'Y	1	x											*
1- 5	90502-09024	SPRING, conical	1										x	x	
	134-23485-10	SPRING	1	x											*
1- 6	584-23484-00	CAP, handle lock	1										x	x	
	134-23484-10	CAP, handle lock	1	x											*
1- 7	90206-04003	WASHER (214-23488-00)	1										x	x	
	134-23488-10	WASHER, wave	1	x											*
1- 8	90269-04003	RIVET (214-23483-00)	1										x	x	
	134-23483-10	RIVET, screw	1	x											*
1- 9	1E6-27411-00	FOOTREST, left	1	x									x	x	
1-10	1E6-27421-00	FOOTREST, right	1	x									x	x	
1-11	214-27413-00	COVER, footrest	2	x									x	x	
1-12	1E6-22210-00	REAR CUSHION ASS'Y	2										x	x	
	1N5-22210-00	REAR CUSHION ASS'Y	2	x											
1-13	583-22212-00	. SPRING, rear cushion	2	x									x	x	
1-14	583-22211-00	. GUIDE, spring	2	x									x	x	
1-15	583-22214-00	. SEAT, spring	2	x									x	x	
1-16	1E6-27430-00	REAR FOOTREST ASS'Y	2	x									x	x	
1-17	465-27431-00	. ARM, rear footrest	2	x									x	x	
1-18	120-27432-02	. BRACKET, rear footrest	2	x									x	x	
1-19	120-27433-00	. COVER, footrest	2	x									x	x	
1-20	90201-20279	. WASHER	2	x									x	x	
1-21	90240-06052	. PIN, with hole	2	x									x	x	

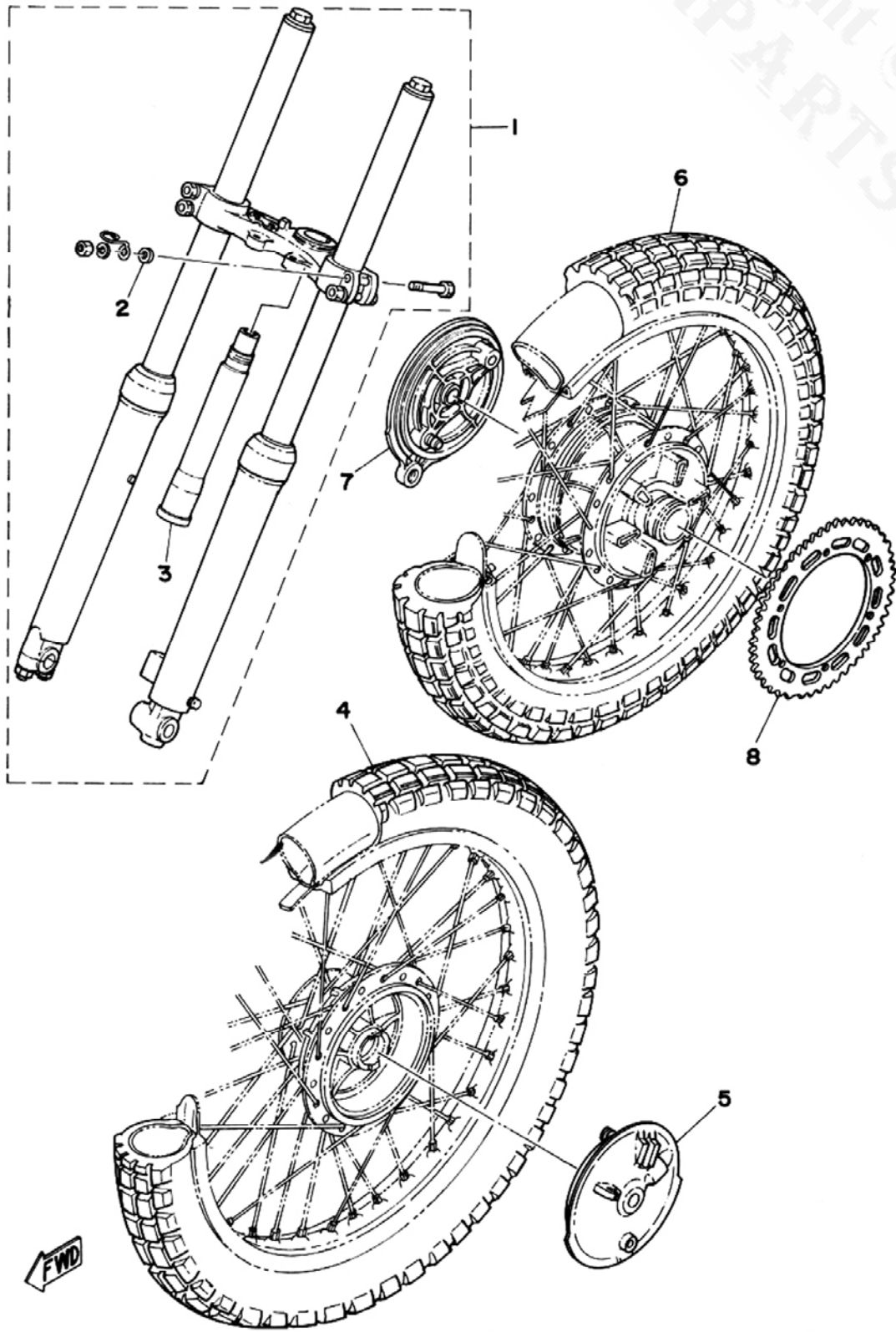
Fig. 1 ENGINE · FRAME · FOOTREST



ENGINE · FRAME · FOOTREST

Ref. No.	Parts No.	Description	Q'ty	FRANCE	HOLLAND	SWITZERLAND	BEIGIUM	FINLAND	DENMARK	NORWAY	AUSTRIA	ENGLAND	ITALY	Remarks
1-22	90170-12062	. NUT	2	x								x	x	
1-23	91401-16015	. PIN, cotter	2	x								x	x	
1-24	90201-06055	. WASHER, plate	2	x								x	x	
1-25	1E6-24720-00	BAND SEAT ASS'Y	1	x								x	x	
1-26	90109-08444	BOLT	2	x								x	x	
1-27	341-26290-01	BACK MIRROR ASS'Y, right ..	1									x		
	341-26290-70	BACK MIRROR ASS'Y, right ...	1	x										Optional Parts
1-28	341-26290-10	BACK MIRROR ASS'Y, left ...	1									x		
	341-26290-20	BACK MIRROR ASS'Y, left ...	1	x										

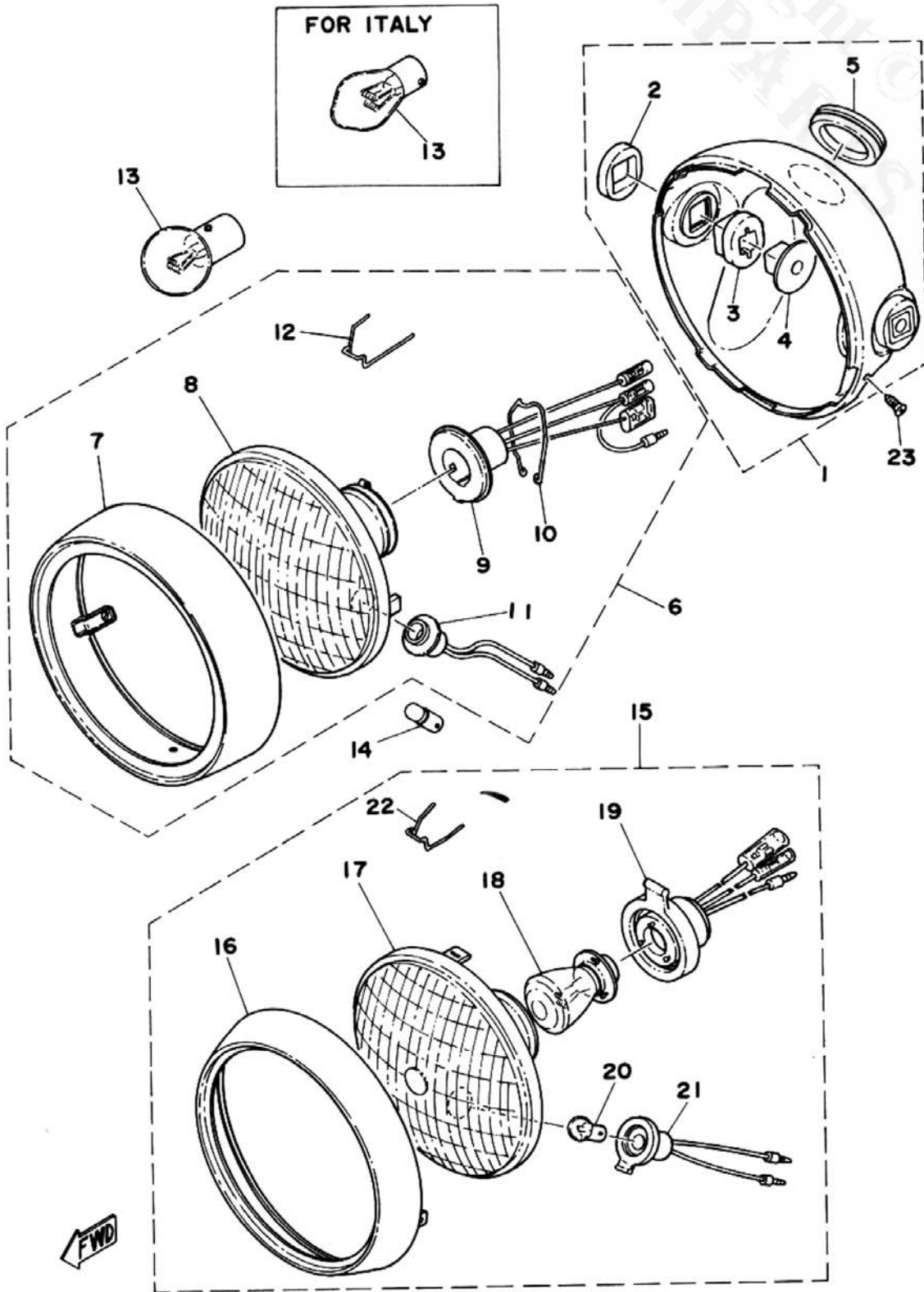
Fig. 2 FRONT FORK · WHEEL



FRONT FORK · WHEEL

Ref. No.	Parts No.	Description	Q'ty	FRANCE	HOLLAND	W. GERMANY	BELGIUM	SWITZERLAND	SWEDEN	FINLAND	DENMARK	NORWAY	AUSTRIA	ENGLAND	ITALY	Remarks
2- 1	1E6-23101-90	FRONT FORK ASS'Y 1												x x	
	1N5-23101-F0	FRONT FORK ASS'Y 1	x												
2- 2	90201-08083	. WASHER, plate (156-27226-00)	4	x											x x	
2- 3	1E6-23341-00	. STEERING SHAFT COMP.	... 1												x x	
	1N5-23341-F0	. STEERING SHAFT COMP.	... 1	x												
2- 4	94130-21205	TIRE, front (3.00-21-4PR) 1	x											x x	
2- 5	1E6-25121-00-98	PLATE, brake shoe front 1	x											x x	
2- 6	94140-18204	TIRE, rear (4.00-18-4PR)	... 1	x											x x	
2- 7	1E6-25321-00-98	PLATE, brake shoe rear 1	x											x x	
2- 8	583-25442-10	GEAR, sprocket wheel (42T)	.. 1	x											x x	STD

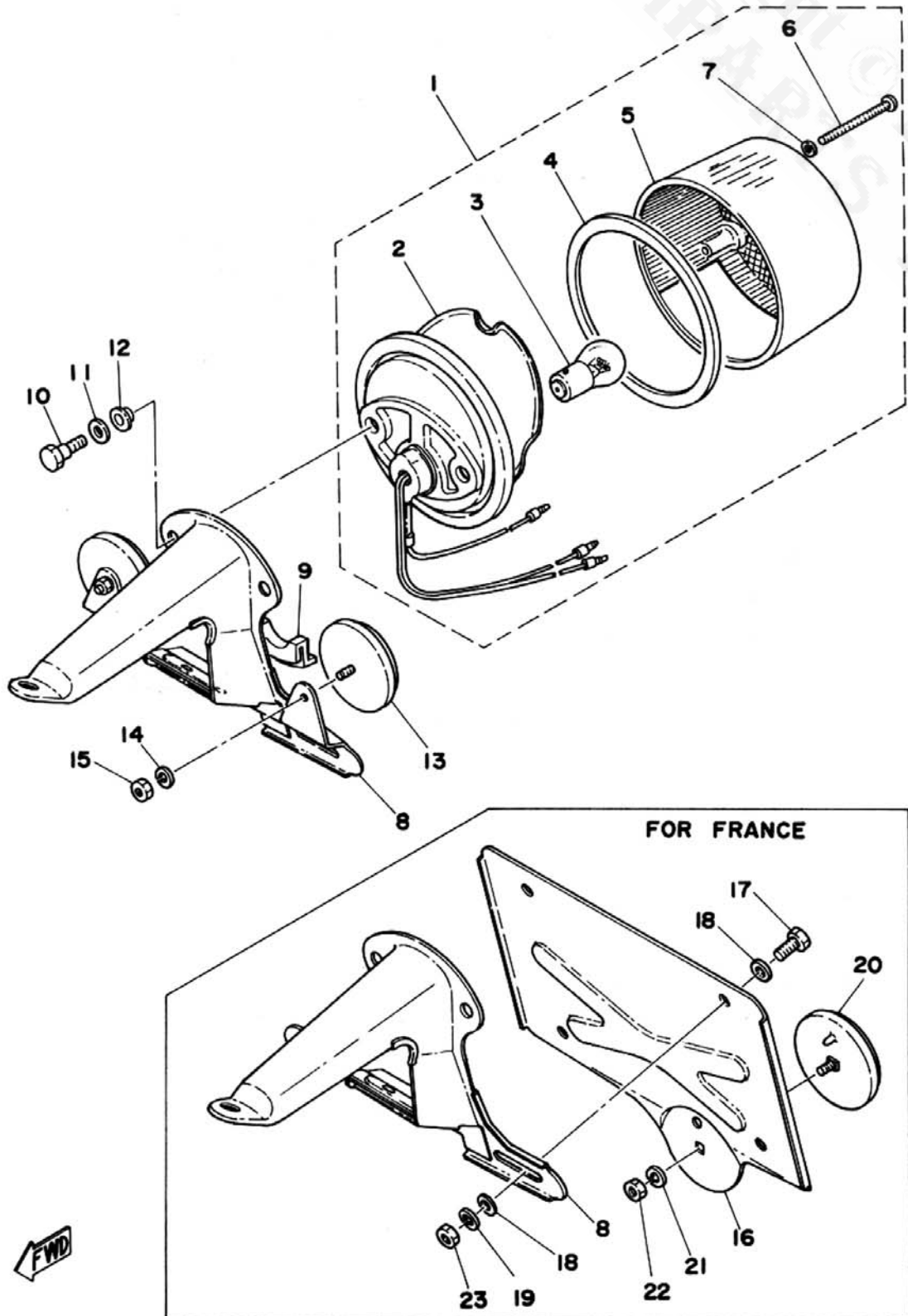
Fig. 3 HEAD LAMP



HEAD LAMP

Ref. No.	Parts No.	Description	Q'ty												Remarks	
				FRANCE	HOLLAND	W. GERMANY	SWITZERLAND	BEIGIUM	SWEDEN	FINLAND	DENMARK	NORWAY	AUSTRIA	ENGLAND		ITALY
3- 1	1E6-84130-60-33	HEAD LAMP BODY ASS'Y 1	x										x	x	
3- 2	498-84164-60	. DAMPER, head lamp 2	x										x	x	
3- 3	498-84163-60	. DAMPER, head lamp 2	x										x	x	
3- 4	498-84145-60	. COLLAR 2	x										x	x	
3- 5	214-84153-60	. GROMMET 1	x										x	x	
3- 6	1N5-84103-20	HEAD LAMP UNIT ASS'Y 1	x												
	1N5-84103-85	HEAD LAMP UNIT ASS'Y 1												x	
3- 7	1N5-84115-20	. RIM, head lamp 1	x											x	
3- 8	308-84120-21	. LENS ASS'Y 1	x												
	457-84120-85	. LENS ASS'Y 1												x	
3- 9	314-84112-20	. SOCKET, cord 1	x												
	314-84112-10	. SOCKET, cord 1												x	
3-10	308-84135-21	. SPRING 1	x											x	
3-11	306-84346-40	. SOCKET CORD ASS'Y 1	x												
	457-84146-85	. SOCKET CORD ASS'Y 1												x	
3-12	308-84124-20	. SPRING, reflector set 3	x											x	
3-13	308-84114-21	BULB (6V-36/36W) 1	x												*
	308-84114-40	BULB (6V-35/35W) 1												x	*
3-14	260-84146-40	BULB, pilot (6V-4W) 1	x												*
	457-84147-85	BULB, pilot (6V-3W) 1												x	*
3-15	1N5-84110-30	HEAD LAMP UNIT ASS'Y 1											x		
3-16	450-84115-00	. RIM, head lamp 1											x		
3-17	512-84120-30	. LENS ASS'Y 1											x		
3-18	214-84114-60	. BULB (6V-35/35W) 1											x		
3-19	421-84312-30	. SOCKET CORD ASS'Y 1											x		
3-20	317-84147-30	. BULB (6V-3W) 1											x		
3-21	306-84346-40	. SOCKET CORD ASS'Y 1											x		
3-22	195-84324-00	. SPRING, reflector set 4											x		
3-23	195-84325-00	SCREW, rim fitting 1	x										x	x	

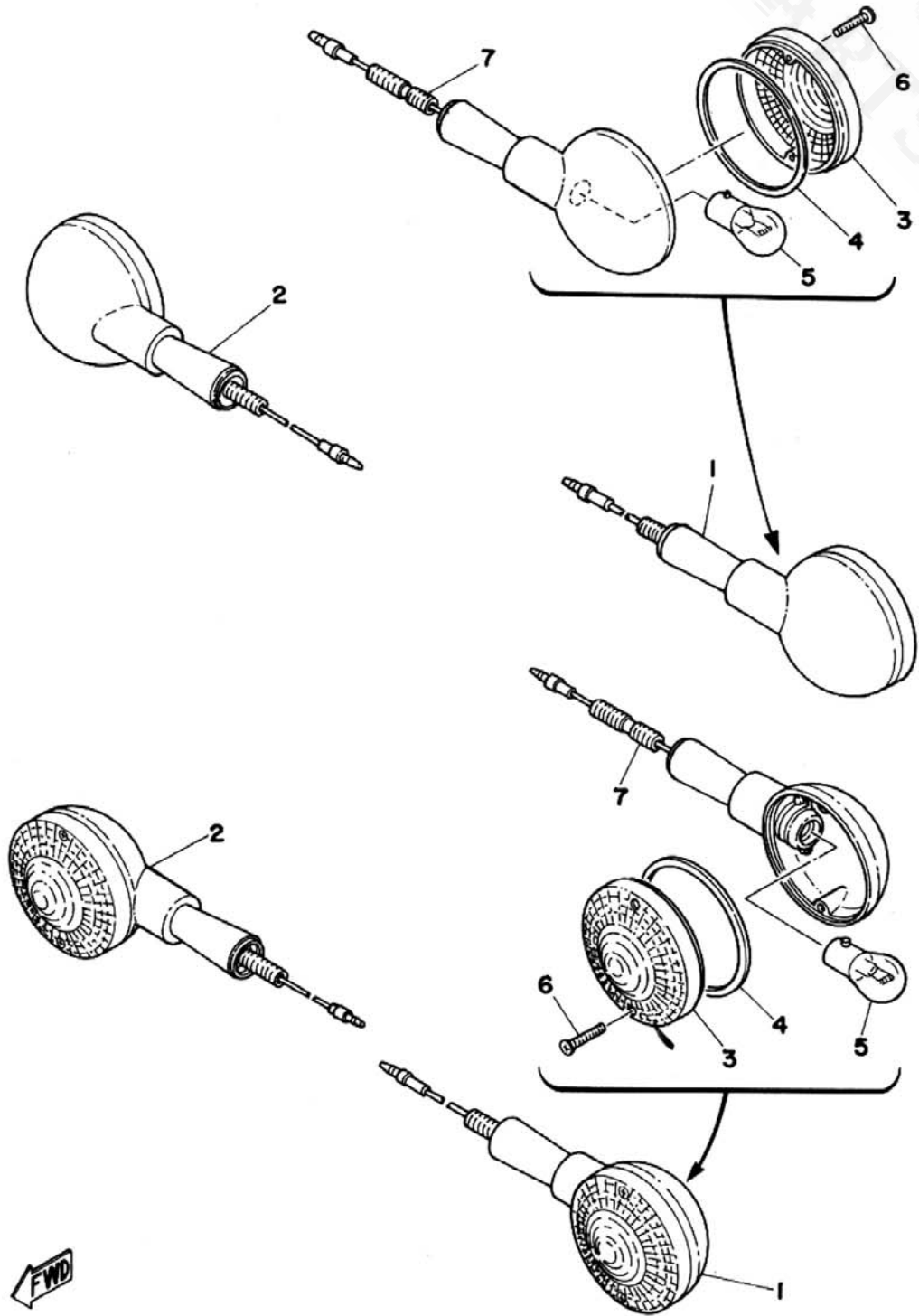
Fig. 4 TAIL LAMP



TAIL LAMP

Ref. No.	Parts No.	Description	Q'ty	FRANCE	HOLLAND	W. GERMANY	SWITZERLAND	BELGIUM	SWEDEN	FINLAND	DENMARK	NORWAY	AUSTRIA	ENGLAND	ITALY	Remarks
4- 1	456-84510-22	TAIL LAMP UNIT ASS'Y 1	x										x	x	
4- 2	456-84511-21	. BASE, tail lamp 1	x										x	x	
4- 3	260-84514-40	. BULB (6V-21/5W) 1	x										x	x	*
4- 4	275-84523-60	. GASKET, tail lamp 1	x										x	x	
4- 5	456-84521-21	. LENS, tail lamp 1	x										x	x	
4- 6	341-84724-60	. SCREW, lens fitting 3	x										x	x	
4- 7	341-84722-60	. WASHER 3	x										x	x	
4- 8	1E6-84551-61-35	BRACKET, license 1											x	x	Silver
	1N5-84551-20-35	BRACKET, license 1	x												Silver
4- 9	437-84527-60	DAMPER 1	x										x	x	
4-10	479-84526-60	SCREW 2	x										x	x	
4-11	437-84525-60	WASHER, special 2	x										x	x	
4-12	275-84527-60	DAMPER 2	x										x	x	
4-13	449-85131-00	REFLECTOR 2											x	x	
4-14	92903-05100	WASHER, spring 2											x	x	
4-15	95303-05600	NUT, hexagon 2											x	x	
4-16	341-85132-20	BRACKET 1 1	x												
4-17	97301-06015	BOLT 2	x												
4-18	92901-06600	WASHER, plate 4	x												
4-19	92901-06100	WASHER, spring 2	x												
4-20	848-85131-01	REFLECTOR 1	x												
4-21	92901-05100	WASHER, spring 1	x												
4-22	95301-05600	NUT, hexagon 1	x												
4-23	95301-06600	NUT, hexagon 2	x												

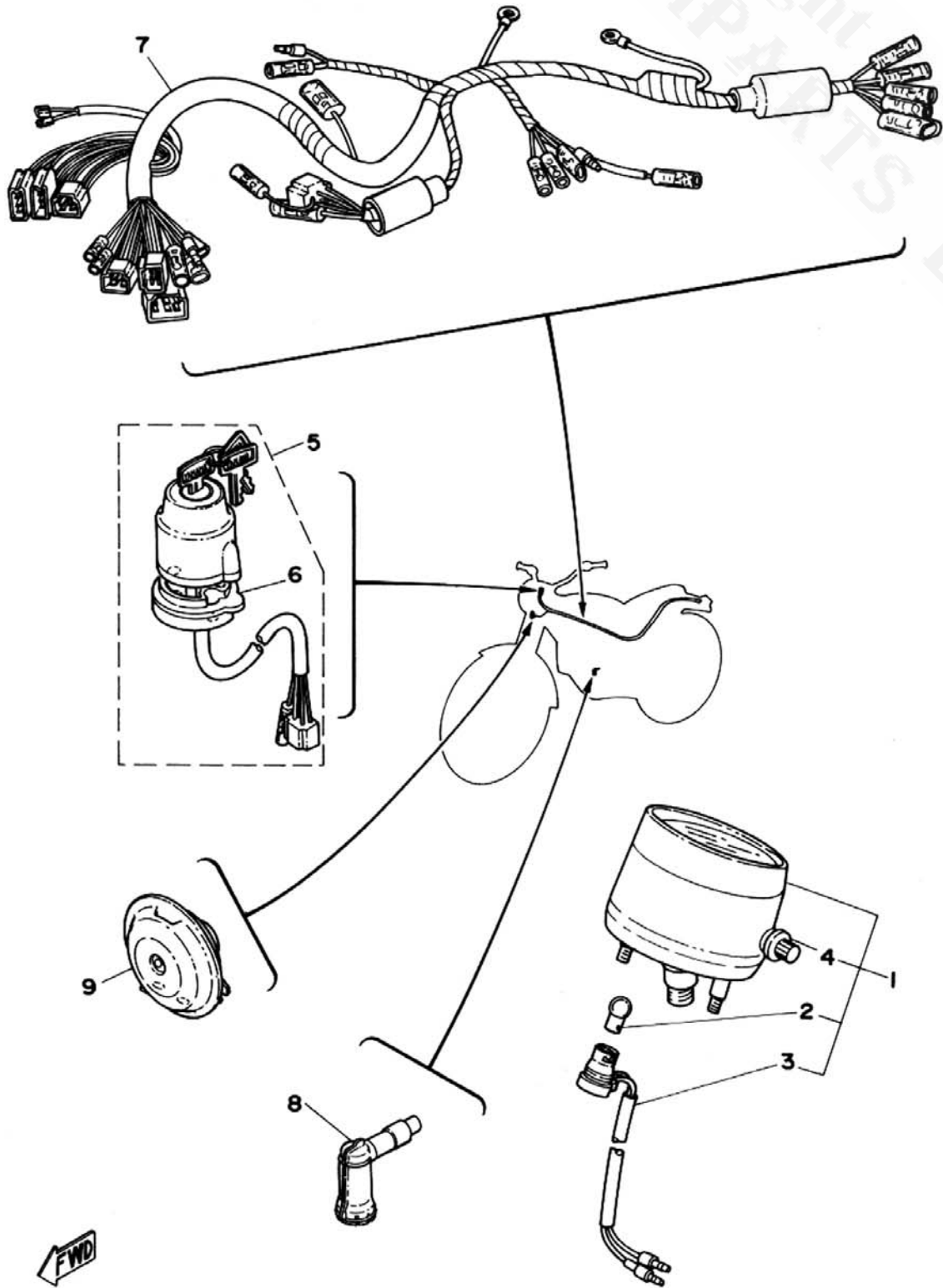
Fig. 5 FLASHER LAMP



FLASHER LAMP

Ref. No.	Parts No.	Description	Q'ty												Remarks	
				FRANCE	HOLLAND	W. GERMANY	SWITZERLAND	BELGIUM	SWEDEN	FINLAND	DENMARK	NORWAY	AUSTRIA	ENGLAND		ITALY
5- 1	1E6-83310-60-93	FLASHER LAMP ASS'Y, left	2	x										x	x	
5- 2	1E6-83320-60-93	FLASHER LAMP ASS'Y, right	2	x										x	x	
5- 3	341-83312-70	. LENS, flasher	4	x										x	x	
5- 4	341-83313-70	. GASKET, flasher lens	4	x										x	x	
5- 5	115-83311-60	. BULT (6V-18W)	4	x										x	x	
5- 6	341-83333-70	. SCREW, lens fitting	8	x										x	x	
5- 7	371-83367-00	. BOLT, stud	4	x										x	x	

Fig. 6 METER · ELECTRICAL



FWD

METER · ELECTRICAL

Ref. No.	Parts No.	Description	Q'ty	FRANCE	HOLLAND	W. GERMANY	SWITZERLAND	BELGIUM	SWEDEN	FINLAND	DENMARK	NORWAY	AUSTRIA	ENGLAND	ITALY	Remarks
6- 1	1E6-83570-10	SPEEDOMETER ASS'Y 1	x											x	Km/h
	1E6-83570-60	SPEEDOMETER ASS'Y 1												x	Mile/h
6- 2	122-83516-10	. BULB (6V-3W) 1	x										x	x	
6- 3	1E6-83536-60	. SOCKET CORD ASS'Y 1	x										x	x	
6- 4	1E6-83578-10	. KNOB 1	x											x	Km/h
	1E6-83578-60	. KNOB 1												x	Mile/h
6- 5	1N5-82508-20	MAIN SWITCH ASS'Y 1	x										x	x	
6- 6	437-82555-00	. DAMPER, main switch 1	x										x	x	
6- 7	1N5-82590-20	WIRE HARNESS ASS'Y 1	x										x	x	
6- 8	512-82370-10	PLUG CAP ASS'Y 1	x										x	x	
6- 9	1N5-83371-20	HORN 1	x											x	
	1E6-83371-00	HORN 1												x	